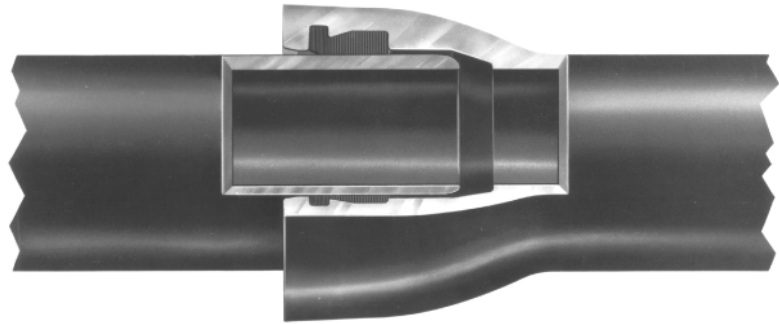
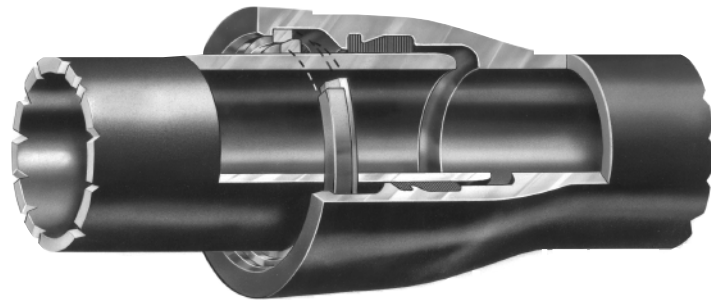


ACIPCO
JOINTS
FOR PIPE
AND
FITTINGS



ACIPCO FASTITE® JOINT

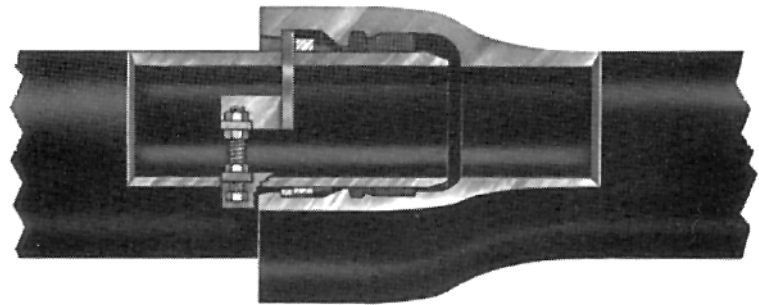
The **ACIPCO Fastite Joint**, furnished in sizes 100mm through 1,600mm, is a push-on joint used extensively in underground service.



ACIPCO FLEX-RING® JOINT

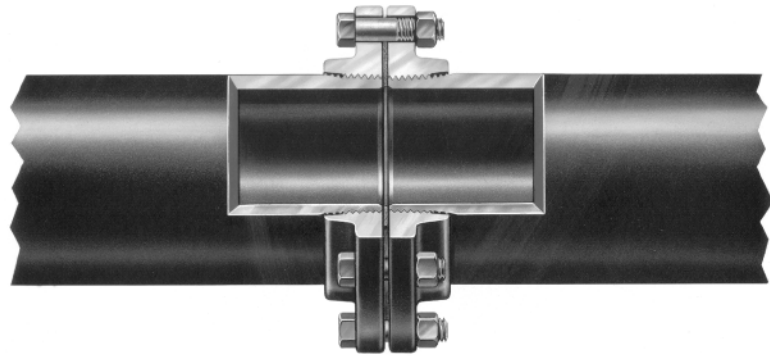
The **ACIPCO Flex-Ring Joint** is furnished in sizes 100mm - 300mm and provides joint restraint against thrust due to internal water working pressure.

**ACIPCO
JOINTS
FOR PIPE
AND
FITTINGS**



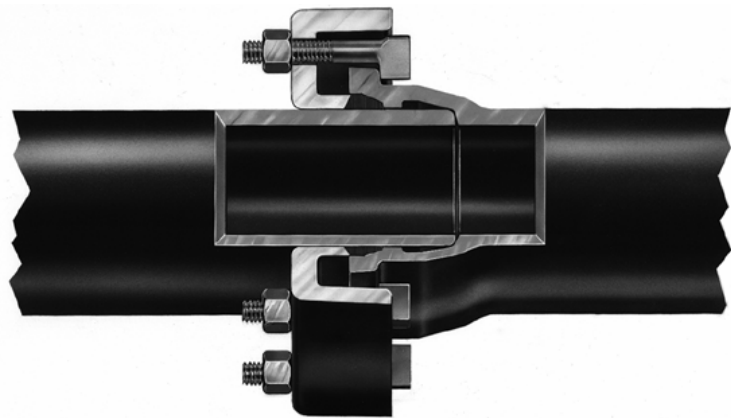
ACIPCO LOK-RING® JOINT

The **ACIPCO** Lok-Ring Joint is furnished in sizes 350mm - 1,600mm and provides joint restraint against thrust due to internal water working pressure.



ACIPCO FLANGED JOINT

The **ACIPCO** Flanged Joint, furnished in sizes 100mm - 1,600mm, is widely used for exposed plant piping, pump stations, and valve chambers. The Flanged joint is available with PN10, PN16, PN25, and PN40 flanges per ISO 2531. For other Flange drillings, please consult **ACIPCO**.



ACIPCO MECHANICAL HOOKBOLT JOINT

The mechanical hookbolt joint is a compression-type bolted joint available in sizes 100mm - 1,200mm for fittings only.